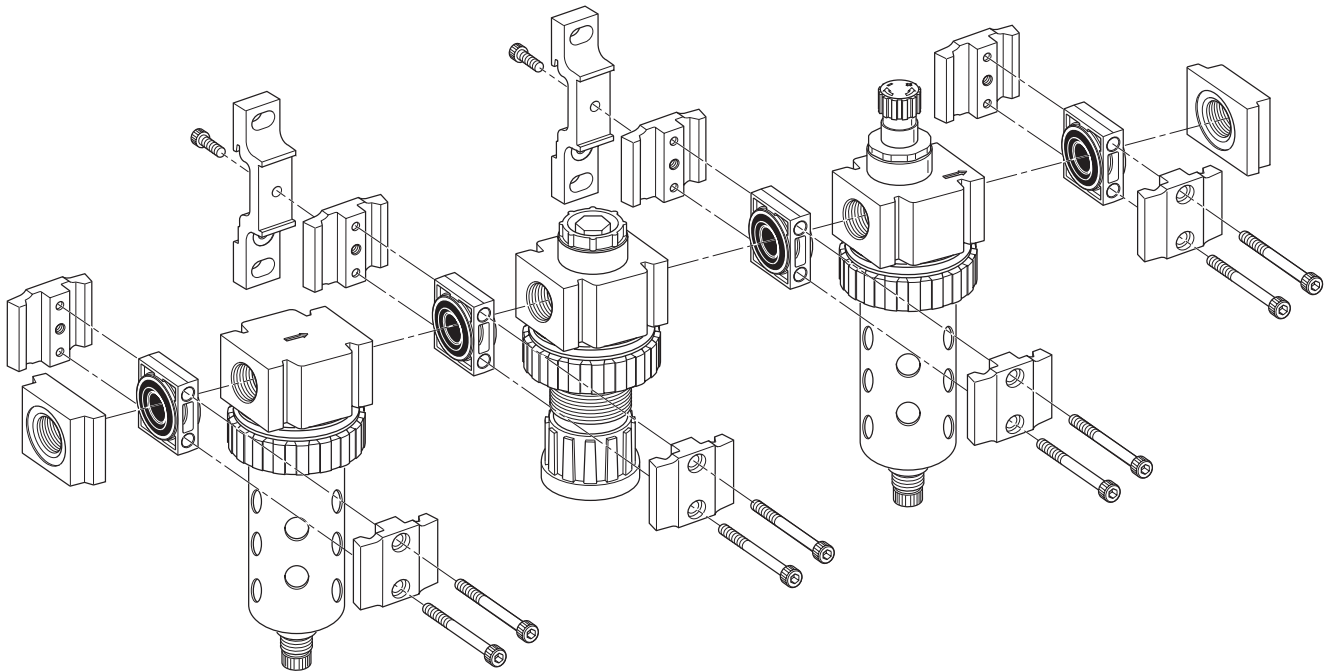




A

Modular Accessories – O5 Economy Series



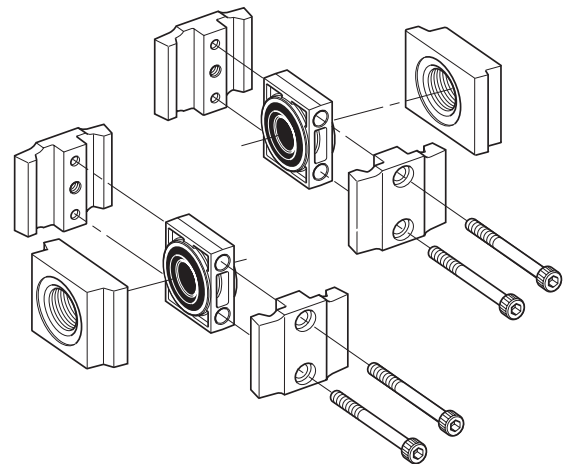
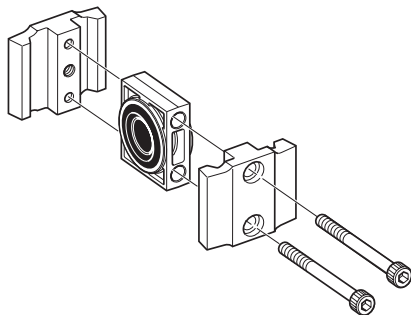
Port Block Connector Kits

	1/8"	1/4"	3/8"
NPT	PS 9500P	PS 9501P	PS 9502P
BSPP	PS 9501P	PS 9501P*	PS 9502P*
BSPT	PS 9502P	PS 95021P	PS 95022P

* 1/4 & 3/8 inch meet ISO 1179-1 Standard.

Body Connectors

PS 954P



Body Connectors allow you to easily assemble and disassemble Modular Combinations.

Body Connectors are required whenever you assemble two or more pieces together.

Each Kit includes one set

Port Block Connectors allow you to make threaded port connections to Modular units and are available in various port sizes to match your system requirements.

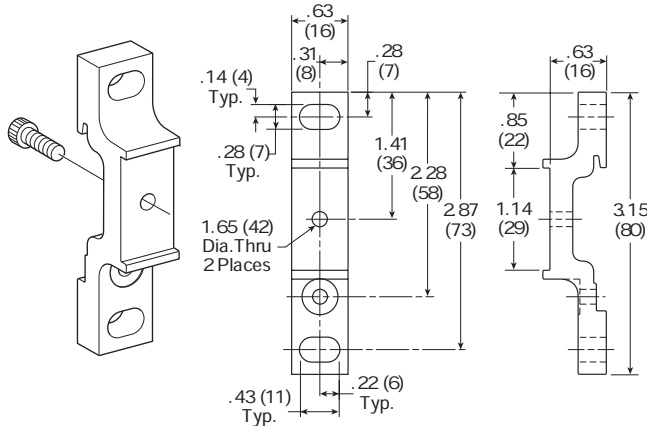
Each Kit includes all the necessary pieces to make two port connections.



Modular Accessories – O5 Economy Series

Wall Mounting Kits

PS 955P



Wall Mounting Kits are available for mounting your Modular Assemblies and can be assembled and used with any standard body connector set.

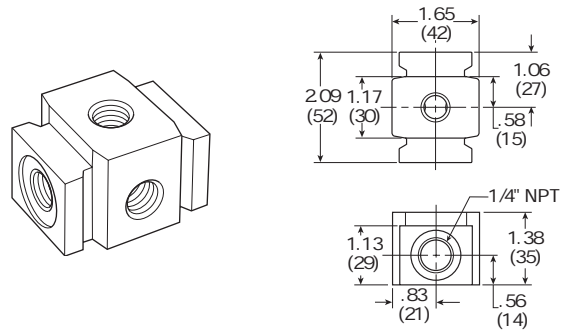
Since Modular Combinations are always identical in size, you can predrill for wall mounting on your equipment.

Kit includes 1 assembly.

Modular Manifold Block

PS 95701P

1/4" Port



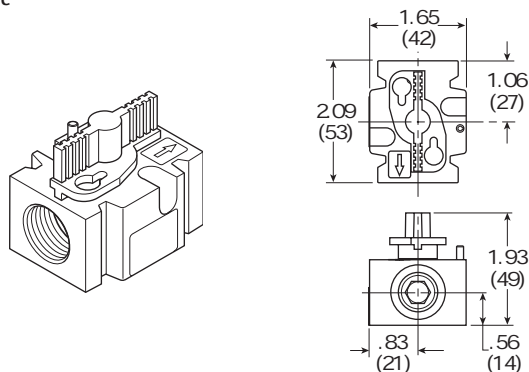
A Modular Manifold Block can be used between any two Modular units to give additional outlet ports. The 1/4" Manifold Block provides three additional outlets. Any standard pipe plug can be used to close off unused ports.

NOTE: Body Connectors are not supplied with Manifold Blocks.

Lockout Valve

PS 95601P

1/4" Port



Lockout Valves provide positive shut-off and exhaust capability to isolate Modular units so they can be easily removed from the line and can be locked in a closed position. Center position can be used as a slow start for O6 and O7 series. Accepts #3 padlock.

NOTE: Body Connectors are not supplied with Lockout Valves.