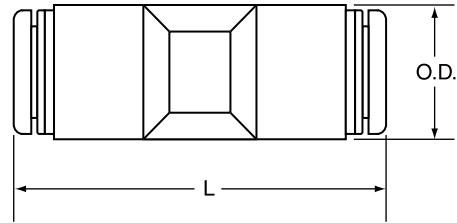


Union 32GC

PART NO.	TUBE SIZE	O.D.	L
32GC-2	1/8	.433	1.299
32GC-5/32	5/32	.433	1.300
32GC-3	3/16	.512	1.535
32GC-4	1/4	.560	1.570
32GC-5	5/16	.610	1.614
32GC-6	3/8	.728	1.890
32GC-8	1/2	.866	2.362

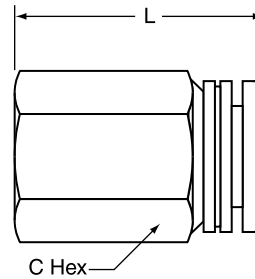


Union HGC (Metric)

PART NO.	TUBE SIZE MM	O.D.	L
HGC4	4	11.00	33.00
HGC6	6	13.00	39.00
HGC8	8	15.50	41.00
HGC10	10	18.50	48.00
HGC12	12	22.00	60.00

66GC Female Connector

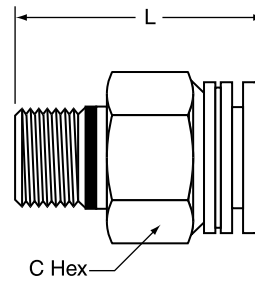
PART NO.	TUBE SIZE	PIPE THREAD	C HEX	L
66GC-3-2	3/16	1/8	1/2	1.12
66GC-4-2	1/4	1/8	1/2	1.11
66GC-4-4	1/4	1/4	5/8	1.31
66GC-5/32-2	5/32	1/8	1/2	1.07
66GC-5/32-4	5/32	1/4	5/8	1.26
66GC-5-2	5/16	1/8	9/16	1.17
66GC-5-4	5/16	1/4	5/8	1.33
66GC-6-4	3/8	1/4	13/16	1.40
66GC-6-6	3/8	3/8	13/16	1.45



All dimensions are preliminary and could change during final production.

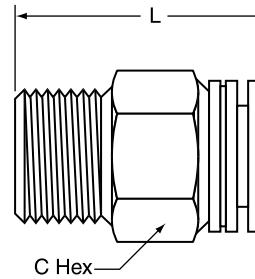
Male Connector 68GC

PART NO.	TUBE SIZE	THREAD UNF	C HEX	L
68GC-2-0	1/8	10-32	1/2	.925
68GC-5/32-0	5/32	10-32	1/2	.913
68GC-3-0	3/16	10-32	9/16	.898
68GC-4-0	1/4	10-32	9/16	.898



Male Connector W68GC

PART NO.	TUBE SIZE	PIPE THREAD	C HEX	L
W68GC-2-1	1/8	1/16	1/2	.945
W68GC-2-2	1/8	1/8	1/2	.945
W68GC-2-4	1/8	1/4	9/16	1.150
W68GC-5/32-1	5/32	1/16	1/2	.937
W68GC-5/32-2	5/32	1/8	1/2	.937
W68GC-5/32-4	5/32	1/4	9/16	1.142
W68GC-3-2	3/16	1/8	9/16	.980
W68GC-3-4	3/16	1/4	9/16	1.181
W68GC-4-1	1/4	1/16	9/16	1.134
W68GC-4-2	1/4	1/8	9/16	.980
W68GC-4-4	1/4	1/4	9/16	1.181
W68GC-4-6	1/4	3/8	13/16	1.185
W68GC-5-2	5/16	1/8	5/8	1.340
W68GC-5-4	5/16	1/4	5/8	1.357
W68GC-5-6	5/16	3/8	13/16	1.347
W68GC-6-2	3/8	1/8	13/16	1.319
W68GC-6-4	3/8	1/4	13/16	1.437
W68GC-6-6	3/8	3/8	13/16	1.437
W68GC-6-8	3/8	1/2	15/16	1.630
W68GC-8-4	1/2	1/4	15/16	1.555
W68GC-8-6	1/2	3/8	15/16	1.547
W68GC-8-8	1/2	1/2	15/16	1.724



Male Connector BSPT F3GC (Metric)

PART NO.	TUBE SIZE MM	BSPT THREAD	C HEX	L
F3GC4-1/8	4	1/8	12	21.00
F3GC4-1/4	4	1/4	14	18.50
F3GC6-1/8	6	1/8	14	22.00
F3GC6-1/4	6	1/4	14	22.80
F3GC8-1/8	8	1/8	17	26.00
F3GC8-1/4	8	1/4	17	23.50
F3GC8-3/8	8	3/8	17	22.60
F3GC10-1/4	10	1/4	21	31.50
F3GC10-3/8	10	3/8	21	29.00
F3GC10-1/2	10	1/2	22	28.00
F3GC12-1/4	12	1/4	22	33.80
F3GC12-3/8	12	3/8	22	31.80
F3GC12-1/2	12	1/2	22	33.80

Male Connector BSPP F4GC (Metric)

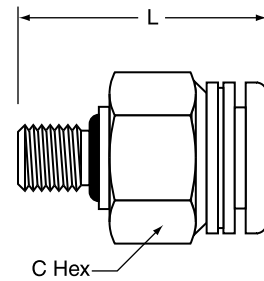
PART NO.	TUBE SIZE MM	BSPP THREAD	C HEX	L
F4GC4-1/8	4	1/8	12	22.00
F4GC4-1/4	4	1/4	14	20.00
F4GC6-1/8	6	1/8	14	27.50
F4GC6-1/4	6	1/4	14	27.00
F4GC8-1/8	8	1/8	17	28.80
F4GC8-1/4	8	1/4	17	28.80
F4GC8-3/8	8	3/8	21	28.80
F4GC10-1/4	10	1/4	21	37.00
F4GC10-3/8	10	3/8	21	34.00
F4GC10-1/2	10	1/2	24	36.00
F4GC12-1/4	12	1/4	22	37.70
F3GC12-3/8	12	3/8	22	33.70
F4GC12-1/2	12	1/2	24	35.70

All dimensions are preliminary and could change during final production.



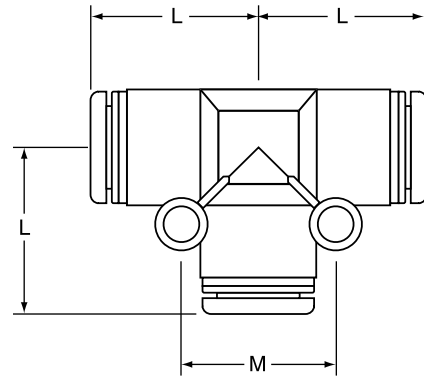
Male Connector Metric Thread F8GC

PART NO.	TUBE SIZE MM	MM THREAD	C HEX	L
F8GC4M5	4	M5	12	22.00
F8GC6M5	6	M5	14	27.50
F8GC6M10	6	M10	14	25.00
F8GC6M12	6	M12	17	26.50
F8GC8M12	8	M12	17	28.30
F8GC8M16	8	M16	21	29.80



Union Tee 364GC

PART NO.	TUBE SIZE	MOUNTING HOLE DIA.	L	M
364GC-2	1/8	•	.689	
364GC-5/32	5/32	•	.689	
364GC-3	3/16	.138	.748	.63
364GC-4	1/4	.150	.820	.72
364GC-5	5/16	.173	.906	.81
364GC-6	3/8	.165	1.110	.92
364GC-8	1/2	.165	1.134	1.04

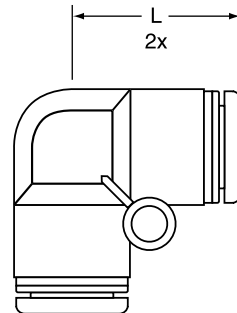


Union Tee JGC (Metric)

PART NO.	TUBE SIZE MM	MOUNTING HOLE DIA.	L	M
JGC4	4	•	17.50	
JGC6	6	18.80	16.00	3.50
JGC8	8	23.00	20.60	4.40
JGC10	10	28.50	23.40	4.20
JGC12	12	29.00	26.30	4.20

Union Elbow 365GC

PART NO.	TUBE SIZE	MOUNTING HOLE DIA.	L
365GC-2	1/8	•	.65
365GC-5/32	5/32	•	.65
365GC-3	3/16	.130	.76
365GC-4	1/4	.130	.76
365GC-5	5/16	.170	.87
365GC-6	3/8	.157	1.13
365GC-8	1/2	.170	1.24



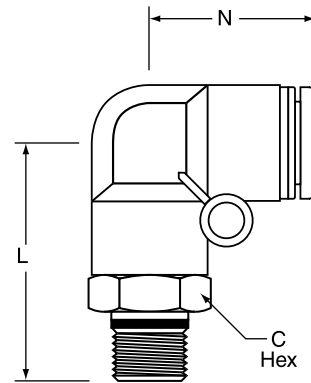
Union Elbow EGC (Metric)

PART NO.	TUBE SIZE MM	MOUNTING HOLE DIA.	L
EGC4	4	*	16.50
EGC6	6	3.50	19.30
EGC8	8	4.30	22.00
EGC10	10	4.00	28.70
EGC12	12	4.40	31.50

All dimensions are preliminary and could change during final production. *Note 1/8", 5/32" and 4mm sizes do not have mounting holes.

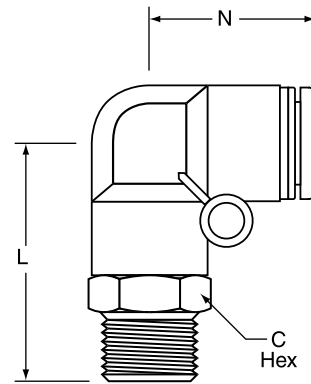
Male Elbow 369GC

PART NO.	TUBE SIZE	THREAD UNF	MOUNTING HOLE DIA.	C HEX	L	N
369GC-2-0	1/8	10-32	*	1/2	.96	.650
369GC-5/32-0	5/32	10-32	*	1/2	.96	.650
369GC-3-0	3/16	10-32	.138	9/16	1.09	.760
369GC-4-0	1/4	10-32	.138	9/16	1.09	.760



Male Elbow W369GC

PART NO.	TUBE SIZE	PIPE THREAD	MOUNTING HOLE DIA.	C HEX	L	N
W369GC-2-1	1/8	1/16	•	1/2	1.09	.650
W369GC-2-2	1/8	1/8	•	1/2	1.10	.650
W369GC-2-4	1/8	1/4	•	9/16	1.30	.650
W369GC-5/32-1	5/32	1/16	•	1/2	1.09	.650
W369GC-5/32-2	5/32	1/8	•	1/2	1.10	.650
W369GC-5/32-4	5/32	1/4	•	9/16	1.30	.650
W369GC-3-2	3/16	1/8	.138	9/16	1.47	.760
W369GC-3-4	3/16	1/4	.138	9/16	1.43	.760
W369GC-4-2	1/4	1/8	.138	9/16	1.47	.760
W369GC-4-4	1/4	1/4	.138	9/16	1.43	.760
W369GC-4-6	1/4	3/8	.138	13/16	1.44	.760
W369GC-5-2	5/16	1/8	.169	5/8	1.26	.866
W369GC-5-4	5/16	1/4	.169	5/8	1.46	.866
W369GC-5-6	5/16	3/8	.169	13/16	1.50	.866
W369GC-6-2	3/8	1/8	.158	13/16	1.52	1.130
W369GC-6-4	3/8	1/4	.158	13/16	1.72	1.130
W369GC-6-6	3/8	3/8	.158	13/16	1.72	1.130
W369GC-6-8	3/8	1/2	.158	15/16	1.94	1.130
W369GC-8-4	1/2	1/4	.173	15/16	1.88	1.240
W369GC-8-6	1/2	3/8	.173	15/16	1.89	1.240
W369GC-8-8	1/2	1/2	.173	15/16	2.07	1.240



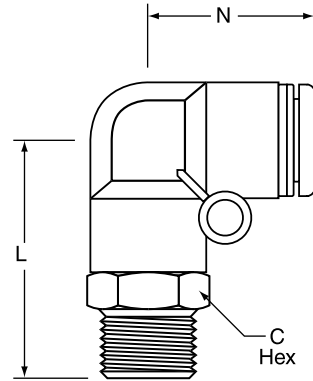
Male Elbow BSPT C63GC (Metric)

PART NO.	TUBE SIZE MM	BSPT THREAD	MOUNTING HOLE DIA.	C HEX	L	N
C63GC4-1/8	4	1/8	•	12	24.90	16.50
C63GC4-1/4	4	1/4	•	14	24.90	16.50
C63GC4-3/8	4	3/8	•	17	27.90	16.50
C63GC6-1/8	6	1/8	3.5	14	27.70	13.00
C63GC6-1/4	6	1/4	3.5	14	29.70	13.00
C63GC6-3/8	6	3/8	3.5	17	31.70	13.00
C63GC8-1/8	8	1/8	4.3	17	29.00	22.00
C63GC8-1/4	8	1/4	4.3	17	31.00	22.00
C63GC8-3/8	8	3/8	4.3	17	33.00	22.00
C63GC8-1/2	8	1/2	4.3	22	35.00	22.00
C63GC10-1/4	10	1/4	4.0	21	36.50	28.70
C63GC10-3/8	10	3/8	4.0	21	37.50	28.70
C63GC10-1/2	10	1/2	4.0	22	40.50	28.70
C63GC12-1/4	12	1/4	4.4	22	40.70	31.50
C63GC12-3/8	12	3/8	4.4	22	41.70	31.50
C63GC12-1/2	12	1/2	4.4	22	43.70	31.50

All dimensions are preliminary and could change during final production. *Note 1/8", 5/32' and 4mm sizes do not have mounting holes.

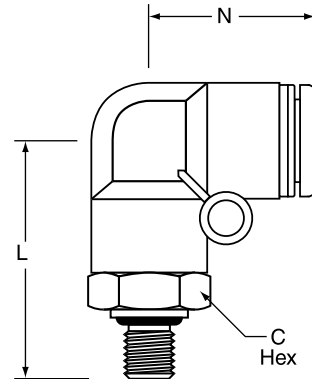
Male Elbow BSPG C64GC (Metric)

PART NO.	TUBE SIZE MM	BSPG THREAD	MOUNTING HOLE DIA.	C HEX	L	N
C64GC4-1/8	4	1/8	•	12	26.90	16.50
C64GC4-1/4	4	1/4	•	17	30.90	16.50
C64GC4-3/8	4	3/8	•	21	32.90	16.50
C64GC6-1/8	6	1/8	3.5	14	29.30	13.00
C64GC6-1/4	6	1/4	3.5	17	33.30	13.00
C64GC6-3/8	6	3/8	3.5	21	33.30	13.00
C64GC8-1/8	8	1/8	4.3	17	30.00	22.00
C64GC8-1/4	8	1/4	4.3	17	34.00	22.00
C64GC8-3/8	8	3/8	4.3	21	34.00	22.00
C64GC8-1/2	8	1/2	4.3	24	36.00	22.00
C64GC10-1/4	10	1/4	4.0	21	40.50	28.70
C64GC10-3/8	10	3/8	4.0	21	40.50	28.70
C64GC10-1/2	10	1/2	4.0	24	42.50	28.70
C64GC12-1/4	12	1/4	4.4	22	41.70	31.50
C64GC12-3/8	12	3/8	4.4	22	41.70	31.50
C64GC12-1/2	12	1/2	4.4	24	45.70	31.50



Male Elbow Metric Thread C68GC

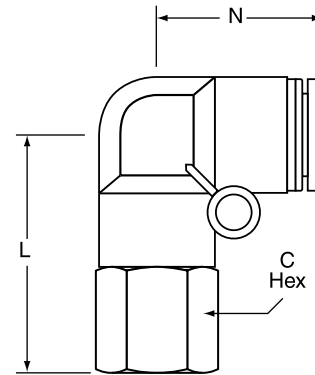
PART NO.	TUBE SIZE MM	METRIC THREAD	MOUNTING HOLE DIA.	C HEX	L	N
C68GC4M5	4	M5	•	12	26.90	16.50
C68GC4M6	4	M6	•	12	26.90	16.50
C68GC6M5	6	M5	3.5	14	29.30	19.30
C68GC6M6	6	M6	3.5	14	29.30	19.30



All dimensions are preliminary and could change during final production. *Note 1/8", 5/32" and 4mm sizes do not have mounting holes.

Female Elbow 370GC

PART NO.	TUBE SIZE	PIPE THREAD	MOUNTING HOLE DIA.	C HEX	L	N
370GC-2-2	1/8	1/8	•	1/2	.98	.650
370GC-2-4	1/8	1/4	•	5/8	1.14	.650
370GC-5/32-2	5/32	1/8	•	1/2	.98	.650
370GC-5/32-4	5/32	1/4	•	5/8	1.14	.650
370GC-3-4	3/16	1/4	.138	9/16	1.23	.760
370GC-4-2	1/4	1/8	.138	9/16	1.08	.760
370GC-4-4	1/4	1/4	.138	5/8	1.23	.760
370GC-4-6	1/4	3/8	.138	13/16	1.27	.760
370GC-5-2	5/16	1/8	.173	5/8	1.14	.866
370GC-5-4	5/16	1/4	.173	5/8	1.30	.866
370GC-6-2	3/8	1/8	.157	13/16	1.36	1.130
370GC-6-4	3/8	1/4	.157	13/16	1.52	1.130
370GC-6-6	3/8	3/8	.157	13/16	1.56	1.130
370GC-6-8	3/8	1/2	.157	15/16	1.70	1.130
370GC-8-6	1/2	3/8	.173	15/16	1.68	1.240
370GC-8-8	1/2	1/2	1.730	15/16	2.27	1.240



Female Elbow BSPT CF63GC (Metric)

PART NO.	TUBE SIZE MM	BSPT THREAD	MOUNTING HOLE DIA.	C HEX	L	N
CF63GC4-1/8	4	1/8	•	12	24.50	16.50
CF63GC4-1/4	4	1/4	•	17	25.90	16.50
CF63GC4-3/8	4	3/8	•	21	26.40	16.50
CF63GC6-1/8	6	1/8	3.5	14	28.80	19.30
CF63GC6-1/4	6	1/4	3.5	17	28.80	19.30
CF63GC6-3/8	6	3/8	3.5	21	28.80	19.30
CF63GC8-1/8	8	1/8	4.3	17	31.00	22.00
CF63GC8-1/4	8	1/4	4.3	17	31.00	22.00
CF63GC8-3/8	8	3/8	4.3	21	32.00	22.00
CF63GC8-1/2	8	1/2	4.3	22	32.00	22.00
CF63GC10-1/4	10	1/4	4.0	21	36.50	28.70
CF63GC10-3/8	10	3/8	4.0	21	37.50	28.70
CF63GC10-1/2	10	1/2	4.0	24	37.50	28.70
CF63GC12-1/4	12	1/4	4.4	22	40.70	31.50
CF63GC12-3/8	12	3/8	4.4	22	40.70	31.50
CF63GC12-1/2	12	1/2	4.4	24	51.20	31.50

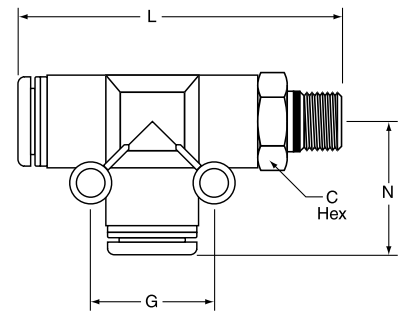
Female Elbow Metric Thread CF68GC

PART NO.	TUBE SIZE MM	METRIC THREAD	MOUNTING HOLE DIA.	C HEX	L	N
CF68GC4M5	4	M5	•	12	23.00	16.50
CF68GC4M6	4	M6	•	12	23.00	16.50
CF68GC6M5	6	M5	3.5	14	25.30	19.30
CF68GC6M6	6	M6	3.5	14	25.30	19.30

All dimensions are preliminary and could change during final production. *Note 1/8", 5/32" and 4mm sizes do not have mounting holes.

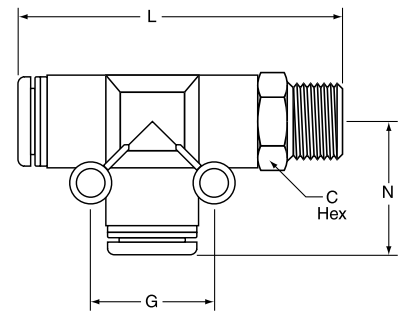
Male Run Tee Swivel 371GC

PART NO.	TUBE SIZE	THREAD UNF	MOUNTING HOLE DIA.	C HEX	L	N	G
371GC-5/32-0	5/32	10-32	*	1/2	1.71	.689	
371GC-4-0	1/4	10-32	.138	9/16	1.81	.740	.630



Male Run Tee Swivel W371GC

PART NO.	TUBE SIZE	PIPE THREAD	MOUNTING HOLE DIA.	C HEX	L	N	G
W371GC-2-1	1/8	1/16	•	1/2	1.86	.689	
W371GC-2-2	1/8	1/8	•	1/2	1.86	.689	
W371GC-2-4	1/8	1/4	•	9/16	2.06	.689	
W371GC-5/32-1	5/32	1/16	•	1/2	1.85	.689	
W371GC-5/32-2	5/32	1/8	•	1/2	1.85	.689	
W371GC-5/32-4	5/32	1/4	•	9/16	2.05	.689	
W371GC-3-2	3/16	1/8	.138	9/16	1.94	.740	.630
W371GC-3-4	3/16	1/4	.138	9/16	2.15	.740	.630
W371GC-4-2	1/4	1/8	.138	9/16	1.94	.740	.630
W371GC-4-4	1/4	1/4	.138	9/16	2.15	.740	.630
W371GC-4-6	1/4	3/8	.138	13/16	2.19	.740	.630
W371GC-5-2	5/16	1/8	.173	5/8	2.21	.906	.811
W371GC-5-4	5/16	1/4	.173	5/8	2.41	.906	.811
W371GC-5-6	5/16	3/8	.173	13/16	2.46	.906	.811
W371GC-6-2	3/8	1/8	.165	13/16	2.61	1.122	.921
W371GC-6-4	3/8	1/4	.165	13/16	2.80	1.122	.921
W371GC-6-6	3/8	3/8	.165	13/16	2.81	1.122	.921
W371GC-6-8	3/8	1/2	.165	15/16	3.03	1.122	.921
W371GC-8-4	1/2	1/4	.165	15/16	2.89	1.142	1.035
W371GC-8-6	1/2	3/8	.165	15/16	2.90	1.142	1.035
W371GC-8-8	1/2	1/2	.165	15/16	3.12	1.142	1.035



Male Run Tee BSPT R63GC (Metric)

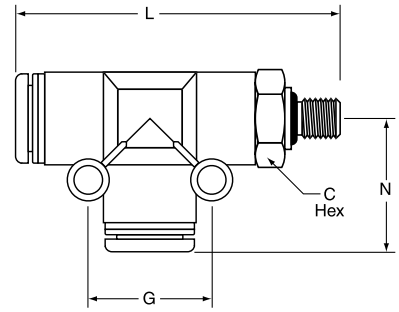
PART NO.	TUBE SIZE MM	BSPT THREAD	MOUNTING HOLE DIA.	C HEX	L	N	G
R63GC4-1/8	4	1/8	•	12	43.90	17.50	
R63GC4-1/4	4	1/4	•	14	45.90	17.50	
R63GC4-3/8	4	3/8	•	17	47.90	17.50	
R63GC6-1/8	6	1/8	3.5	14	46.30	18.80	16.00
R63GC6-1/4	6	1/4	3.5	14	48.30	18.80	16.00
R63GC6-3/8	6	3/8	3.5	17	50.30	18.80	16.00
R63GC8-1/8	8	1/8	4.4	17	53.20	23.00	20.60
R63GC8-1/4	8	1/4	4.4	17	55.20	23.00	20.60
R63GC8-3/8	8	3/8	4.4	17	57.20	23.00	20.60
R63GC8-1/2	8	1/2	4.4	22	59.20	23.00	20.60
R63GC10-1/4	10	1/4	4.2	21	64.20	28.50	23.40
R63GC10-3/8	10	3/8	4.2	21	65.20	28.50	23.40
R63GC10-1/2	10	1/2	4.2	22	68.20	28.50	23.40
R63GC12-1/4	12	1/4	4.2	22	67.00	29.00	26.30
R63GC12-3/8	12	3/8	4.2	22	68.00	29.00	26.30
R63GC12-1/2	12	1/2	4.2	22	70.00	29.00	26.30

All dimensions are preliminary and could change during final production. *Note 1/8", 5/32" and 4mm sizes do not have mounting holes.



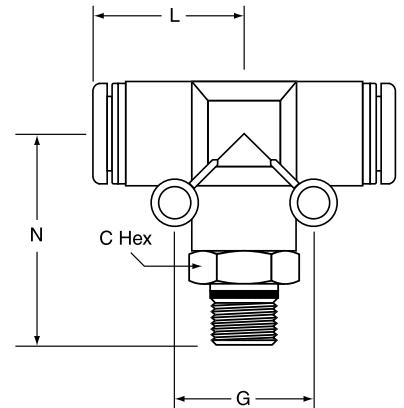
Male Run Tee Metric Thread R68GC

PART NO.	TUBE SIZE MM	METRIC THREAD	MOUNTING HOLE DIA.	C HEX	L	N	G
R68GC4M5	4	M5	•	12	46.00	17.50	
R68GC4M6	4	M6	•	12	46.00	17.50	
R68GC6M5	6	M5	3.5	14	48.30	18.80	16.00
R68GC6M6	6	M6	3.5	14	48.30	18.80	16.00



Male Branch Tee Swivel 372GC

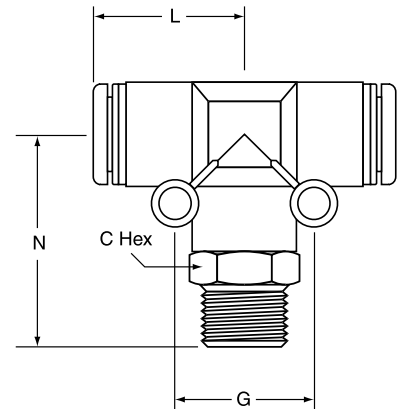
PART NO.	TUBE SIZE	PIPE THREAD	MOUNTING HOLE DIA.	C HEX	L	N	G
372GC-2-0	1/8	10-32	•	1/2	1.32	1.00	
372GC-5/32-0	5/32	10-32	•	1/2	1.32	1.00	
372GC-4-0	1/4	10-32	.138	9/16	1.38	1.04	.630



All dimensions are preliminary and could change during final production. *Note 1/8", 5/32" and 4mm sizes do not have mounting holes.

Male Branch Tee Swivel W372GC

PART NO.	TUBE SIZE	PIPE THREAD	MOUNTING HOLE DIA.	C HEX	L	N	G
W372GC-2-2	1/8	1/8	•	1/2	1.36	1.14	
W372GC-2-4	1/8	1/4	•	9/16	1.56	1.34	
W372GC-5/32-2	5/32	1/8	•	1/2	1.36	1.14	
W372GC-3-2	3/16	1/8	.138	9/16	1.44	1.17	.630
W372GC-3-4	3/16	1/4	.138	9/16	1.62	1.38	.630
W372GC-4-2	1/4	1/8	.138	9/16	1.44	1.17	.630
W372GC-4-4	1/4	1/4	.138	9/16	1.62	1.38	.630
W372GC-4-6	1/4	3/8	.138	13/16	1.64	1.42	.630
W372GC-5-2	5/16	1/8	.173	5/8	1.61	1.31	.811
W372GC-5-4	5/16	1/4	.173	5/8	1.82	1.51	.811
W372GC-5-6	5/16	3/8	.173	13/16	1.81	1.56	.811
W372GC-6-2	3/8	1/8	.165	13/16	1.88	1.50	.921
W372GC-6-4	3/8	1/4	.165	13/16	2.04	1.70	.921
W372GC-6-6	3/8	3/8	.165	13/16	2.04	1.71	.921
W372GC-6-8	3/8	1/2	.165	15/16	2.27	1.93	.921
W372GC-8-4	1/2	1/4	.165	15/16	2.15	1.74	1.035
W372GC-8-6	1/2	3/8	.165	15/16	2.16	1.74	1.035
W372GC-8-8	1/2	1/2	.165	15/16	2.36	1.96	1.035

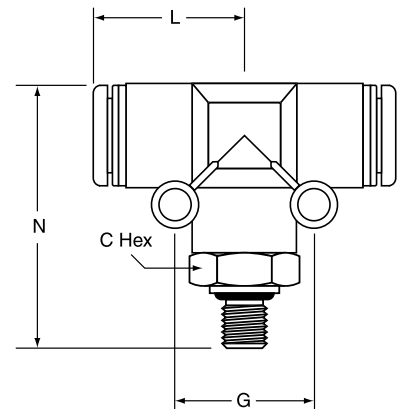


Male Branch Tee BSPT S63GC (Metric)

PART NO.	TUBE SIZE MM	BSPT THREAD	MOUNTING HOLE DIA.	C HEX	L	N	G
S63GC4-1/8	4	1/8	•	12	35.0	26.00	
S63GC4-1/4	4	1/4	•	14	35.0	28.00	
S63GC4-3/8	4	3/8	•	17	35.0	30.00	
S63GC6-1/8	6	1/8	3.5	14	37.6	26.80	16.00
S63GC6-1/4	6	1/4	3.5	14	37.6	28.80	16.00
S63GC6-3/8	6	3/8	3.5	17	37.6	30.80	16.00
S63GC8-1/8	8	1/8	4.4	17	46.0	30.20	20.60
S63GC8-1/4	8	1/4	4.4	17	46	32.20	20.60
S63GC8-3/8	8	3/8	4.4	17	46	34.20	20.60
S63GC8-1/2	8	1/2	4.4	22	46	36.20	20.60
S63GC10-1/4	10	1/4	4.2	21	57	36.20	23.40
S63GC10-3/8	10	3/8	4.2	21	57	37.20	23.40
S63GC10-1/2	10	1/2	4.2	22	57	40.20	23.40
S63GC12-1/4	12	1/4	4.2	22	58	38.00	26.30
S63GC12-3/8	12	3/8	4.2	22	58	39.00	26.30
S63GC12-1/2	12	1/2	4.2	22	58	41.00	26.30

Male Branch Tee Metric Thread S68GC

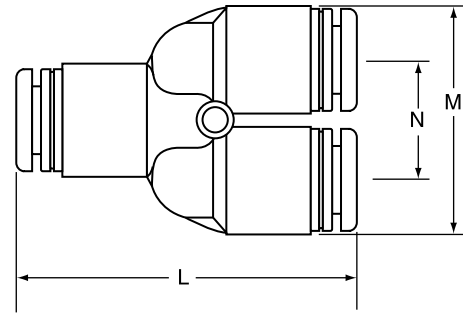
PART NO.	TUBE SIZE MM	METRIC THREAD	MOUNTING HOLE DIA.	C HEX	L	N	G
S68GC4M5	4	M5	•	12	35.00	28.00	
S68GC4M6	4	M6	•	12	35.00	28.00	
S68GC6M5	6	M5	3.5	14	37.60	28.80	16.00
S68GC6M6	6	M6	3.5	14	37.60	28.80	16.00



All dimensions are preliminary and could change during final production.

Union Y Connector 362GC

PART NO.	TUBE SIZE	MOUNTING HOLE DIA.	L	M	N
362GC-2	1/8	.118	1.358	.421	.846
362GC-5/32	5/32	.118	1.358	.421	.846
362GC-3	3/16	.129	1.417	.531	1.063
362GC-4	1/4	.150	1.450	.561	1.100
362GC-5	5/16	.150	1.693	.591	1.201
362GC-6	3/8	.165	1.969	.728	1.457
362GC-8	1/2	.173	2.256	.807	1.646

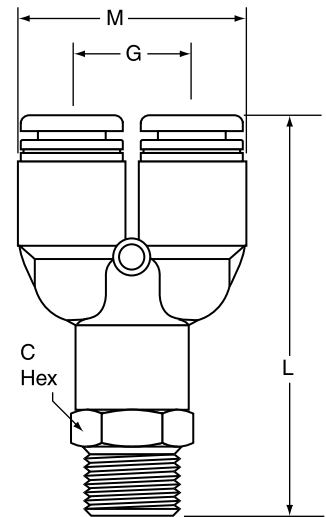


Union Y Connector YJGC (Metric)

PART NO.	TUBE SIZE MM	MOUNTING HOLE DIA.	L	M	N
YJGC4	4	3.00	34.50	21.50	10.70
YJGC6	6	3.40	36.00	27.00	13.50
YJGC8	8	3.80	43.00	30.50	15.00
YJGC10	10	4.20	50.80	37.00	18.50
YJGC12	12	4.40	57.80	41.50	20.50

Union Y Male Connector W368GC

PART NO.	TUBE SIZE	PIPE THREAD	MOUNTING HOLE DIA.	C HEX	L	G	M
W368GC-2-2	1/8	1/8	.118	1/2	1.84	.433	.854
W368GC-2-4	1/8	1/4	.118	9/16	2.04	.433	.854
W368GC-3-2	3/16	1/8	.134	9/16	1.89	.531	1.063
W368GC-3-4	3/16	1/4	.134	9/16	2.09	.531	1.063
W368GC-5/32-2	5/32	1/8	.118	1/2	1.83	.433	.854
W368GC-5/32-4	5/32	1/4	.118	9/16	2.03	.433	.854
W368GC-4-2	1/4	1/8	.134	9/16	1.89	.531	1.063
W368GC-4-4	1/4	1/4	.134	9/16	2.09	.531	1.063
W368GC-4-6	1/4	3/8	.134	13/16	2.10	.531	1.063
W368GC-5-2	5/16	1/8	.150	5/8	2.07	.590	1.201
W368GC-5-4	5/16	1/4	.150	5/8	2.28	.590	1.201
W368GC-6-2	3/8	1/8	.165	13/16	2.36	.728	1.457
W368GC-6-4	3/8	1/4	.165	13/16	2.57	.728	1.457
W368GC-6-6	3/8	3/8	.165	13/16	2.57	.728	1.457
W368GC-6-8	3/8	1/2	.173	15/16	2.79	.728	1.457
W368GC-8-4	1/2	1/4	.173	15/16	2.91	.807	1.654
W368GC-8-6	1/2	3/8	.173	15/16	2.92	.807	1.654
W368GC-8-8	1/2	1/2	.173	15/16	3.11	.807	1.654



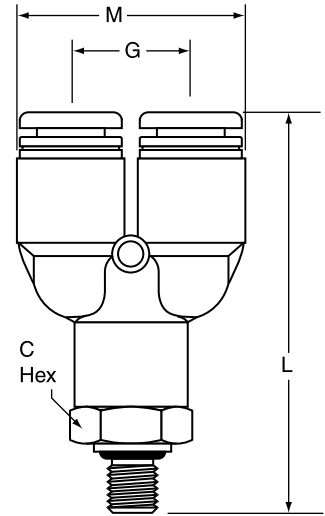
Union Y Male Connector BSPT YJ63GC (Metric)

PART NO.	TUBE SIZE MM	BSPT THREAD	MOUNTING HOLE DIA.	C HEX	L	G	M
YJ63GC4-1/8	4	1/8	3.0	12	43.40	11.0	21.50
YJ63GC4-1/4	4	1/4	3.0	14	45.40	11.0	21.50
YJ63GC4-3/8	4	3/8	3.0	17	47.40	11.0	21.50
YJ63GC6-1/8	6	1/8	3.4	14	44.20	13.5	27.00
YJ63GC6-1/4	6	1/4	3.4	14	46.20	13.5	27.00
YJ63GC6-3/8	6	3/8	3.4	17	48.20	13.5	27.00
YJ63GC8-1/8	8	1/8	3.8	17	50.00	15.0	30.50
YJ63GC8-1/4	8	1/4	3.8	17	52.00	15.0	30.50
YJ63GC8-3/8	8	3/8	3.8	17	54.00	15.0	30.50
YJ63GC8-1/2	8	1/2	3.8	22	56.00	15.0	30.50
YJ63GC10-1/4	10	1/4	4.2	21	58.30	18.5	37.00
YJ63GC10-3/8	10	3/8	4.2	21	59.30	18.5	37.00
YJ63GC10-1/2	10	1/2	4.2	22	62.30	18.5	37.00
YJ63GC12-1/4	12	1/4	4.4	22	66.80	20.5	41.50
YJ63GC12-3/8	12	3/8	4.4	22	67.80	20.5	41.50
YJ63GC12-1/2	12	1/2	4.4	22	69.80	20.5	41.50

All dimensions are preliminary and could change during final production.

Union Y Male Connector Metric Thread YJ68GC

PART NO.	TUBE SIZE MM	METRIC THREAD	MOUNTING HOLE DIA.	C HEX	L	G	M
YJ68GC4M5	4	M5	3.0	12	43.40	11.0	21.50
YJ68GC4M6	4	M6	3.0	12	43.40	11.0	21.50
YJ68GC6M5	6	M5	3.4	14	44.20	13.5	27.00
YJ68GC6M6	6	M6	3.4	14	44.20	13.5	27.00



All dimensions are preliminary and could change during final production.