



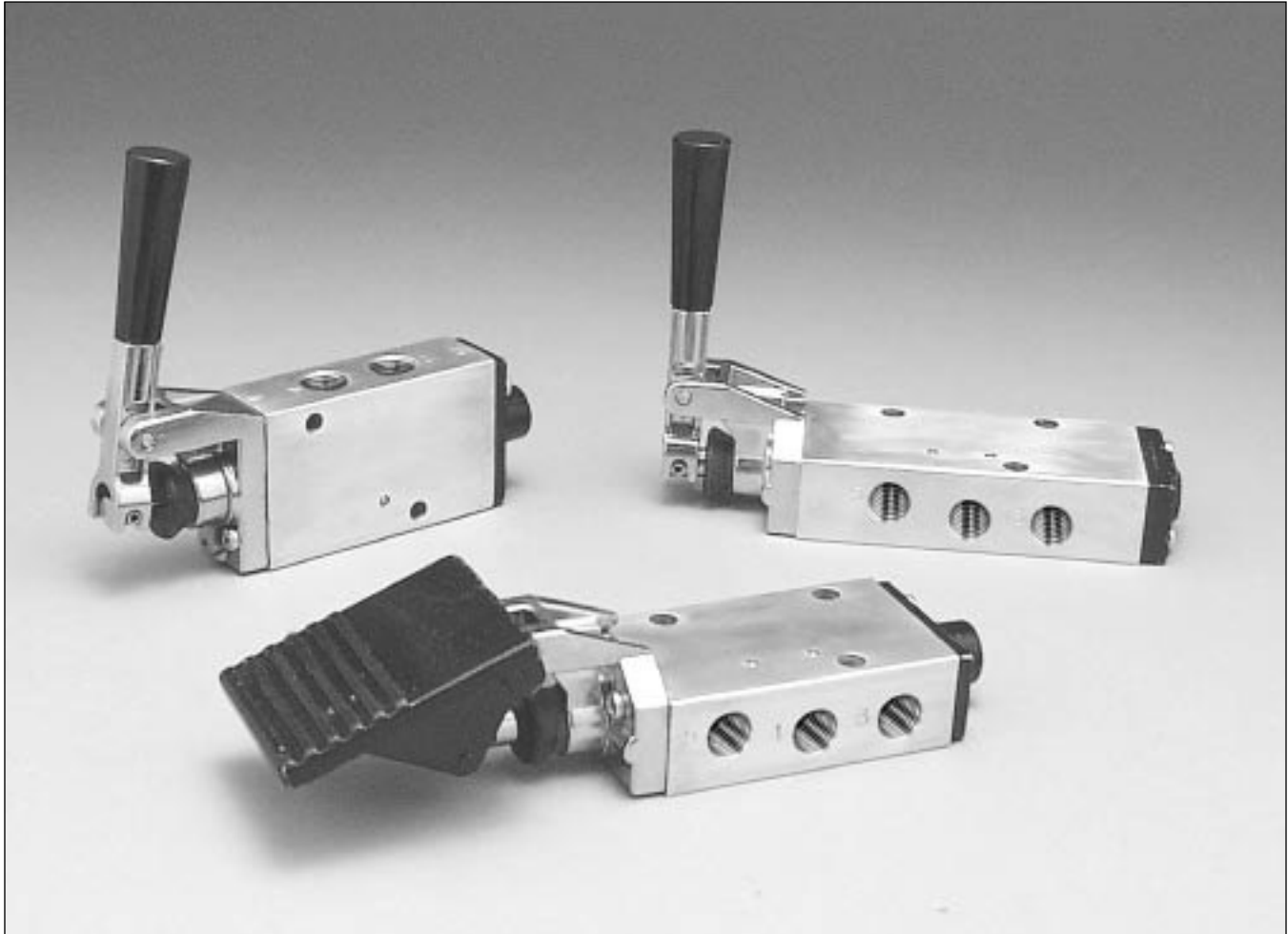
# "42" Series

Lever / Pedal Valves

4-Way, 5-Port, 2 & 3-Position

Section R

[www.parker.com/pneu/42ser](http://www.parker.com/pneu/42ser)



**R**

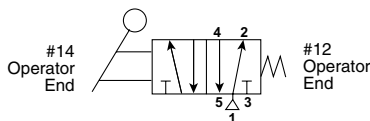
Basic Valve Functions .....	R2
"42" Series Basic Valve Features .....	R3
Common Part Numbers.....	R4
Model Number Index & Accessories .....	R5
Dimensions	
Lever Valve .....	R6
Foot Pedal Valve, Foot Pedal Guard.....	R7

**BOLD ITEMS ARE MOST POPULAR.**



## Lever Valves – Parallel & Perpendicular Operated

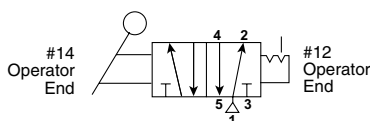
### 2-Position, Spring Return



**Single Pressure at Port #1** – The Hand Lever alternately pressurizes port 2 or 4 while exhausting at port 3 or 5. When actuating Hand Lever, port 4 is pressurized; when releasing Hand Lever, spring returns the spool, pressurizing port 2.

**Dual Pressure** – Pressure at port 3 & 5 alternately pressurizes port 2 or 4 while exhausting at port 1. When actuating Hand Lever, port 2 is pressurized; when releasing Hand Lever, spring returns the spool, pressurizing port 4. (Must be ordered as dual pressure)

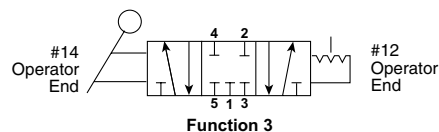
### 2-Position, Detent



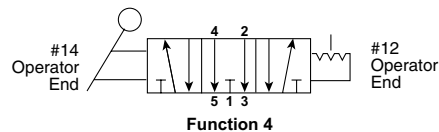
**Single Pressure at Port #1** – The Hand Lever alternately pressurizes port 2 or 4 while exhausting at port 3 or 5. When pulling Hand Lever, port 4 is pressurized; when pushing Hand Lever, port 2 is pressurized. Spool stays in last actuated position.

**Dual Pressure** – Pressure at port 3 & 5 alternately pressurizes port 2 or 4 while exhausting at port 1. When pulling Hand Lever, port 2 is pressurized; when pushing Hand Lever, port 4 is pressurized. Spool stays in last actuated position. (Must be ordered as dual pressure.)

### 3-Position, Detent



Function 3



Function 4

**Single Pressure at Port #1** – The Hand Lever alternately pressurizes port 2 or 4 while exhausting at port 3 or 5. When pulling Hand Lever, port 4 is pressurized; when pushing Hand Lever, port 2 is pressurized. When Hand Lever is vertical, it is in the center position - either APB or CE. Spool stays in last actuated position.

### Center Functions

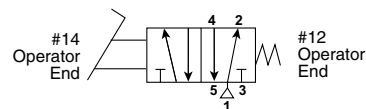
All Ports Blocked – Function 3

Center Exhaust – Function 4

**CAUTION:**  
For 3-Position lever function, do not restrict exhaust ports with speed controls.

## R Foot Pedal Operated

### 2-Position, Spring Return



**CAUTION:**  
This valve shall not be used to actuate a punch press. Do not use this valve on punch presses or press brakes. See OSHA 1910.217. See Dimension page for Pedal Guard Kit.

**Single Pressure at Port #1** – The Foot Pedal alternately pressurizes port 2 or 4 while exhausting at port 3 or 5. When pressing Foot Pedal down, port 4 is pressurized; when releasing Foot Pedal, spring returns the spool, pressurizing port 2.

**Dual Pressure** – Pressure at port 3 & 5 alternately pressurizes port 2 or 4 while exhausting at port 1. When pressing Foot Pedal down, port 2 is pressurized; when releasing Foot Pedal, spring returns the spool, pressurizing port 4. (Must be ordered as dual pressure)

**“42” Series**

**Specifications**

**Heavy Duty Lever**

- Parallel Mount
- Perpendicular Mount

**Heavy Duty Foot Pedal**

**Inline Valve**

- 1/4" Port – 1.3 to 2.2 Cv
- 3/8" Port – 1.3 to 2.9 Cv

**2-Position**

**3-Position**

- All Ports Blocked
- Center Exhaust

**Operating Pressure**

- Vacuum to 150 PSI  
(710mm HG to 1035 kPa)

**Operating Temperature**

- 0°F to 140°F (-18°C to 60°C)

**Flow Rating (Cv)**

Port Size	Mounting Style	2-Position	3-Position
1/4" Ports	Inline	2.2	1.3
3/8" Ports	Inline	2.9	1.3

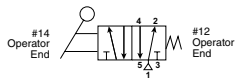


**Lever Valve – Parallel**

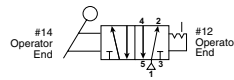
**Foot Pedal Valve**

**R**

**Lever Valve – 2-Position**  
 (Parallel Shown)

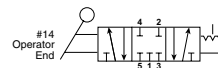


Spring Return

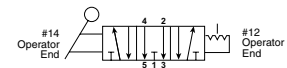


Detented

**Lever Valve – 3-Position**  
 (Perpendicular Shown)



APB



CE

**Inline – Parallel**

Single Pressure	Return	Port
422CS011K	Spring	1/4" NPT
422CS021K		3/8" NPT
422CS011W	Detent	1/4" NPT
422CS021W		3/8" NPT

**Inline – Parallel**

Single Pressure	Type	Port
422CS013W	3-Pos APB	1/4" NPT
422CS023W		3/8" NPT
422CS014W	3-Pos CE	1/4" NPT
422CS024W		3/8" NPT

**Inline – Perpendicular**

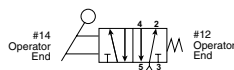
Single Pressure	Return	Port
422CR011K	Spring	1/4" NPT
422CR021K		3/8" NPT
422CR011W	Detent	1/4" NPT
422CR021W		3/8" NPT

**Inline – Perpendicular**

Single Pressure	Type	Port
422CR013W	3-Pos APB	1/4" NPT
422CR023W		3/8" NPT
422CR014W	3-Pos CE	1/4" NPT
422CR024W		3/8" NPT

**R**

**Foot Pedal Valve – 2-Position**



Spring Return

**Inline**

Single Pressure	Type	Return	Port
422CT011K	2-Pos	Spring	1/4" NPT
422CT021K			3/8" NPT



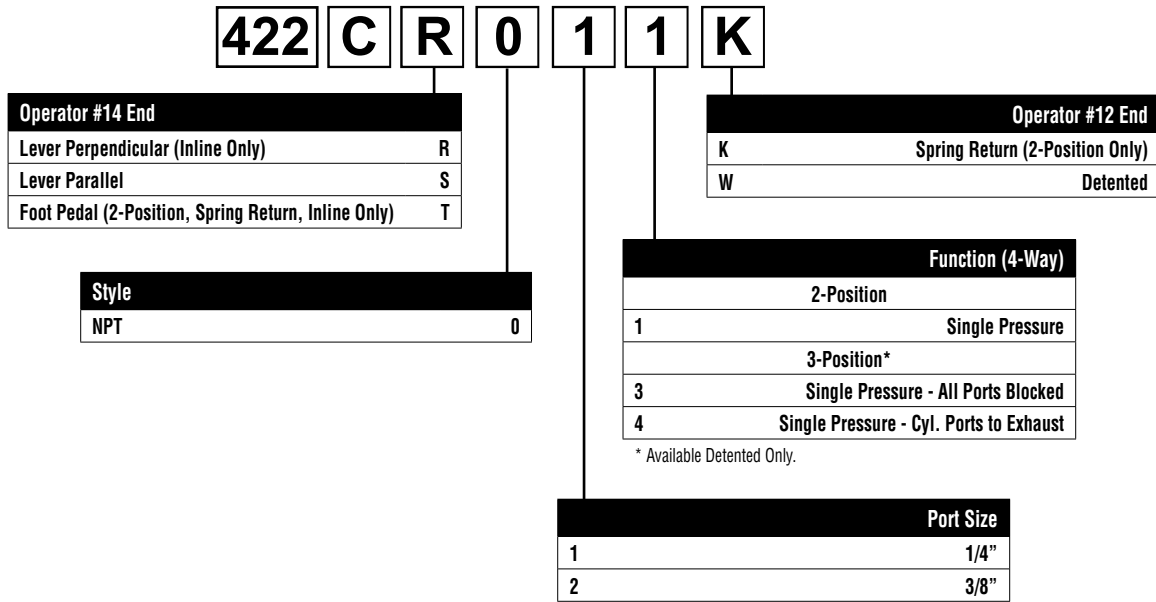
**CAUTION:**

*This valve shall not be used to actuate a punch press. Do not use this valve on punch presses or press brakes. See OSHA 1910.217.*

*See Dimensions page for Pedal Guard Kit.*

“42” Series

BOLD OPTIONS ARE MOST POPULAR



Valve Body Service Kits

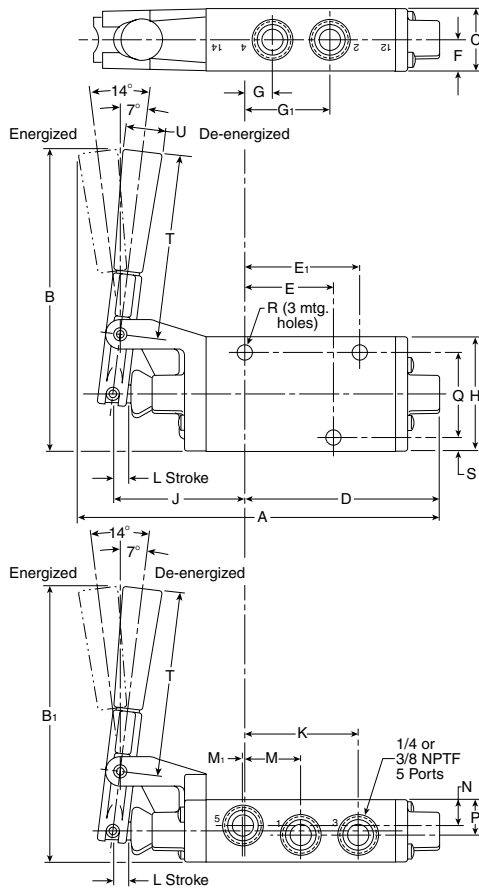
Function / Operator	Single Pressure	Dual Pressure
2-Position / Manual	PS2038P	PS2039P
3-Position / Manual, Detented	PS2041P	

Kit includes: all soft seals and spool.

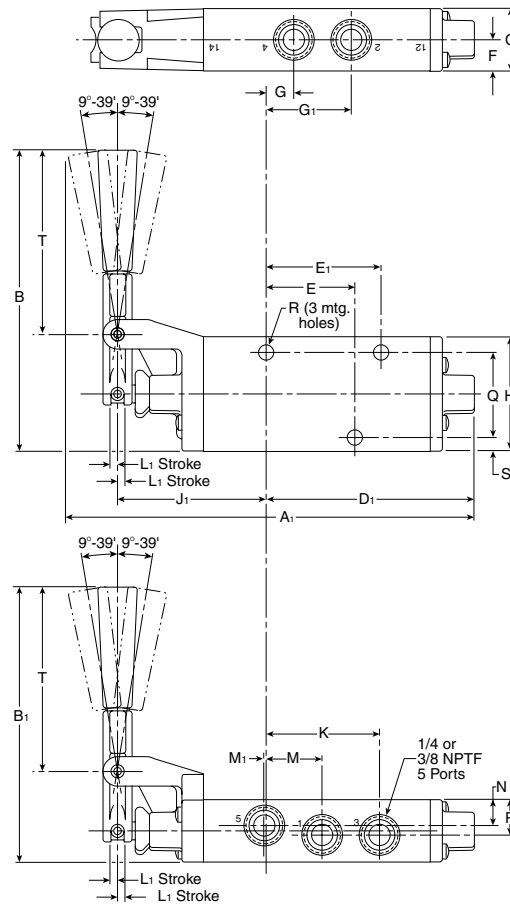
R

**Lever Valve**

**2-Position**



**3-Position**



**Lever Valve**

<b>A</b> 6.70 (170)	<b>A<sub>1</sub></b> 7.58 (193)	<b>B</b> 5.55 (141)	<b>B<sub>1</sub></b> 5.05 (128)	<b>C</b> 1.15 (29)
<b>D</b> 3.59 (91)	<b>D<sub>1</sub></b> 3.83 (97)	<b>E</b> 1.58 (40)	<b>E<sub>1</sub></b> 2.06 (52)	<b>F</b> .57 (14)
<b>G NPT</b> 1/4" .51 (13) 3/8" .55 (14)		<b>G<sub>1</sub> NPT</b> 1/4" 1.56 (40) 3/8" 1.51 (38)		<b>H</b> 2.13 (54)
<b>J</b> 2.44 (62)	<b>J<sub>1</sub></b> 2.80 (71)	<b>K NPT</b> 1/4" 2.08 (53) 3/8" 2.13 (54)		<b>L</b> .25 (6)
<b>L<sub>1</sub></b> .18 (5)	<b>M</b> 1.03 (36)	<b>M<sub>1</sub> NPT</b> 1/4" .02 (.5) 3/8" .06 (2)		<b>N</b> .50 (13)
<b>P</b> .65 (17)	<b>Q</b> 1.58 (40)	<b>R</b> .33 (8)	<b>S</b> .27 (7)	<b>T</b> 3.42 (87)
<b>U Dia</b> .75 (19)				

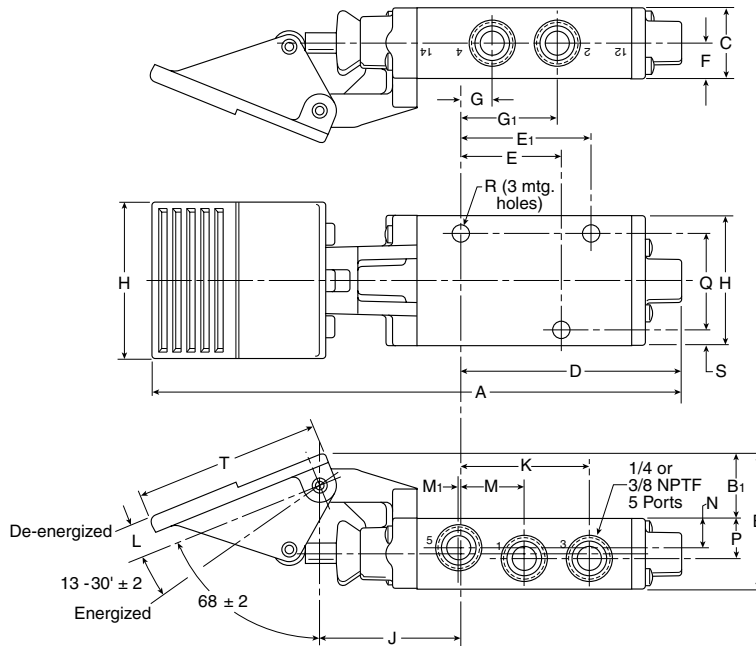
Inches (mm)

**R**

**Dimensions**

**Foot Pedal Valve & Foot Pedal Valve Guard**

**Foot Pedal Valve**



**Foot Pedal Valve**

<b>A</b> 8.64 (220)	<b>B</b> 2.18 (55)	<b>B<sub>1</sub></b> 1.03 (26)	<b>C</b> 1.15 (29)	<b>D</b> 3.59 (91)
<b>E</b> 1.58 (40)	<b>E<sub>1</sub></b> 2.06 (52)	<b>F</b> .57 (14)	<b>G NPT</b> 1/4" .51 (13) 3/8" .55 (14)	
<b>G<sub>1</sub> NPT</b> 1/4" 1.56 (40) 3/8" 1.51 (38)		<b>H</b> 2.13 (54)	<b>H<sub>1</sub></b> 2.50 (64)	<b>J</b> 2.32 (59)
<b>K NPT</b> 1/4" 2.08 (53) 3/8" 2.13 (54)		<b>L</b> .60 (15)	<b>M</b> 1.03 (26)	
<b>M<sub>1</sub> NPT</b> 1/4" .02 (.5) 3/8" .06 (2)		<b>N</b> .50 (13)	<b>P</b> .65 (17)	<b>Q</b> 1.58 (40)
<b>R</b> .33 (8)	<b>S</b> .27 (7)	<b>T</b> 3.00 (76)	<b>U</b> .48 (11)	

Inches (mm)



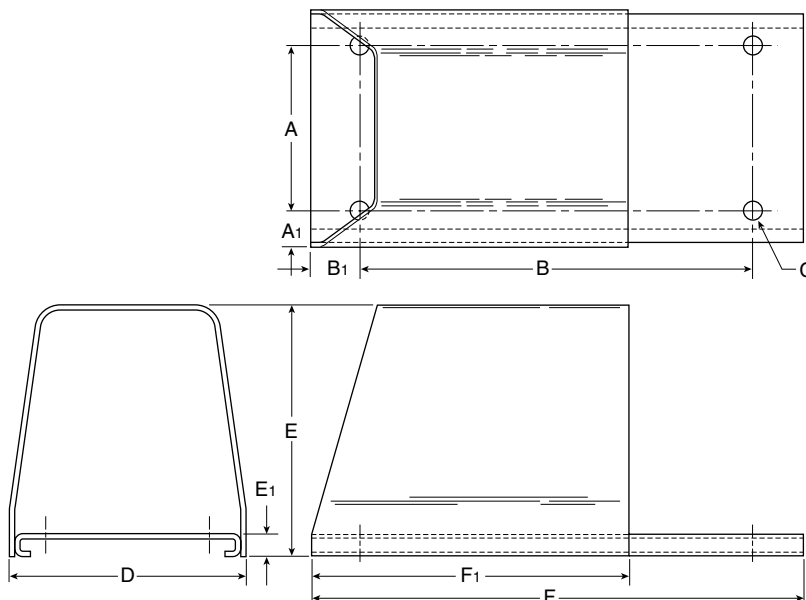
**CAUTION:**

*This valve shall not be used to actuate a punch press.  
Do not use this valve on punch presses or press brakes.  
See OSHA 1910.217.*

**Foot Pedal Valve Guard**

To order Foot Pedal Valve Guard, specify part number PS2043P.

This kit contains the valve mounting hardware.



**Foot Valve Guard**

<b>A</b> 4.50 (114)	<b>A<sub>1</sub></b> .75 (19)	<b>B</b> 10.50 (267)	<b>B<sub>1</sub></b> 1.25 (32)	<b>C</b> .48 (11)
<b>D</b> 6.00 (152)	<b>E</b> 7.13 (181)	<b>E<sub>1</sub></b> .50 (13)	<b>F</b> 13.00 (330)	<b>F<sub>1</sub></b> 8.38 (213)

Inches (mm)

**R**

**R**